

NEW PRODUCT INFORMATION

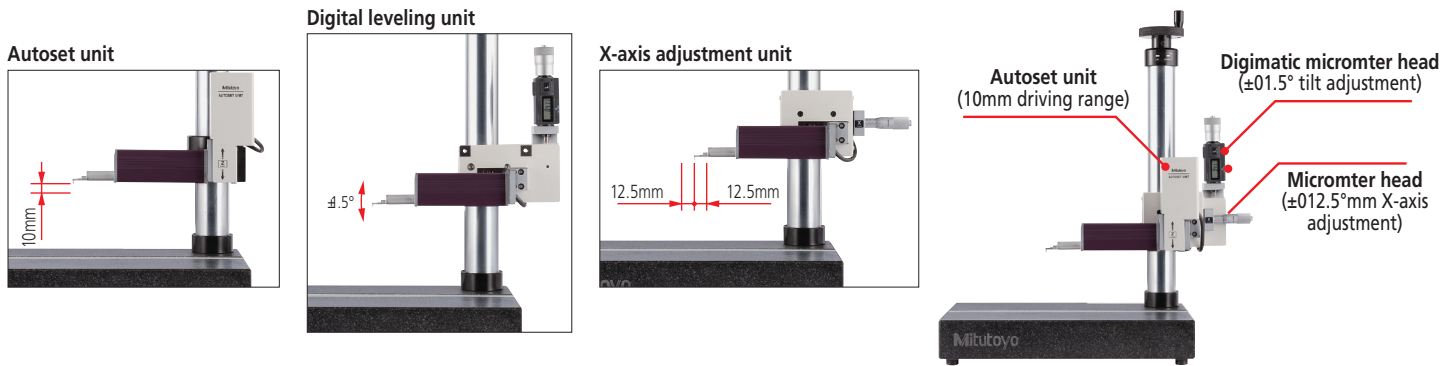
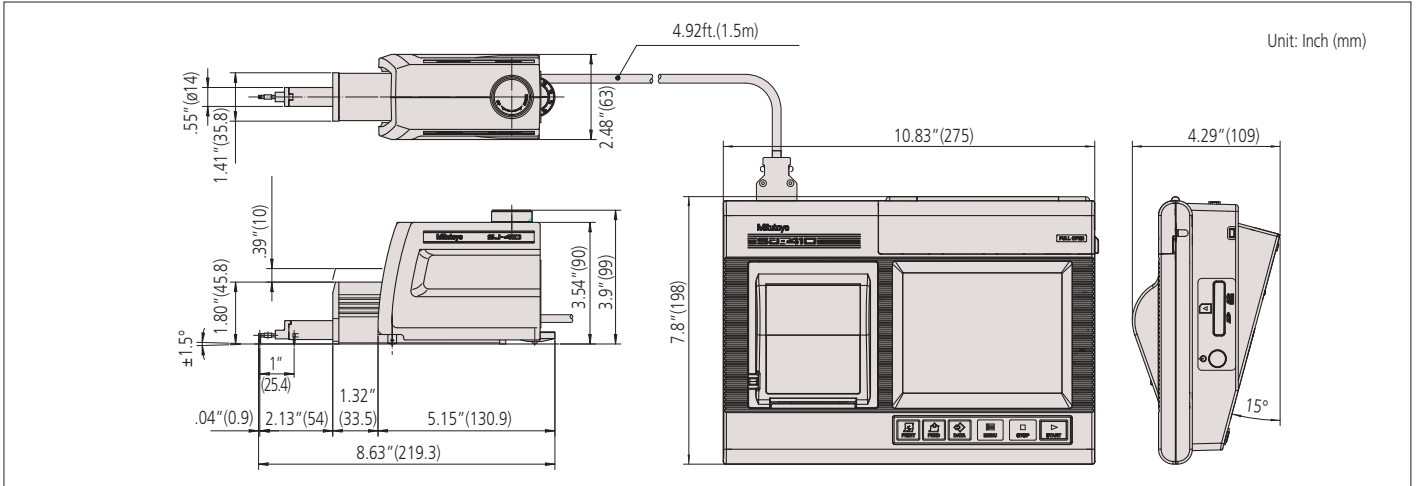
Surface Roughness Tester Surftest SJ-411/412

The new SJ-411/412 has numerous innovative features combined with high accuracy and a competitive price makes this instrument the new leader in its class.

- Large 5.7" color LCD with touch screen improves operability and achieves high visibility.
- It conforms to the roughness standards JIS-B0601-2001, JIS-B0601-1994, JIS-B0601-1982, VDA, ISO-1997 and ANSI.
- Blueprint design code can be easily keyed in to set evaluation conditions.
- It corresponds to cissoidal calculations in which one measurement can evaluate two different conditions.
- A simple contour analysis function is also included. (4 types: step, step amount, area and coordinate difference).
- D.A.T. (Digital Adjustment Tilting) function is also included for easy work piece leveling.
- Statistic measurements up to 3 parameters of 300 samples can be performed showing average, standard deviation, max, min, pass rate and histogram.
- Up to ten measurement conditions and the stored data can be called out and displayed and printed out by the built-in thermal printer.
- The total measurement and sectional measurement results can be displayed as well as the evaluation curve, BAC/ADC curve. The display unit supports all three types of Standard, S-Drive and R-Drive units.
- 16 languages can be selected and are switchable.
- A maximum of 5 custom styli can be recorded and calibrated independently.



Dimensions



Main specifications

Model	SJ-411		SJ-412	
	178-581-01A	178-581-02A	178-583-01A	178-583-02A
Measurement range (Resolution)	8μm (0.000125μm), 80μm (0.00125μm), 800μm (0.0125μm), Auto			
Measurement speed	0.05, 0.1, 0.2, 0.5, 1mm/s			
Return speed	0.5, 1, 2mm/s			
Sampling length	0.08, 0.25, 0.8, 2.5, 8, 25mm			
Number of sampling lengths	x1~x20, xL			
Battery capacity	1000 measurement (approx.)			
Time required for recharging battery	Max. 4h			
Waiting time for auto-sleep	30~600s (only w/battery)			
RS-232C speed	9600, 19200, 38400			
Detector	0.75mN	4mN	0.75mN	4mN
Drive unit	Standard			

- Coordinate Measuring Machines
- Vision Measuring Systems
- Form Measurement
- Optical Measuring
- Sensor Systems
- Test Equipment and Seismometers
- Digital Scale and DRO Systems
- Small Tool Instruments and Data Management

Note: All information regarding our products, and in particular the illustrations, drawings, dimensional and performance data contained in this printed matter as well as other technical data are to be regarded as approximate average values. We therefore reserve the right to make changes to the corresponding designs. The stated standards, similar technical regulations, descriptions and illustrations of the products were valid at the time of printing. In addition, the latest applicable version of our General Trading Conditions will apply. Only quotations submitted by ourselves may be regarded as definitive.

Mitutoyo products are subject to US Export Administration Regulations (EAR). Re-export or relocation of Mitutoyo products may require prior approval by an appropriate governing authority.

Trademarks and Registrations

Designations used by companies to distinguish their products are often claimed as trademarks. In all instances where Mitutoyo America Corporation is aware of a claim, the product names appear in initial capital or all capital letters. The appropriate companies should be contacted for more complete trademark and registration information.

We reserve the right to change specifications and prices without notice.

Mitutoyo America Corporation

www.mitutoyo.com

One Number to Serve You Better

1-888-MITUTOYO (1-888-648-8869)

Mitutoyo
Precision is our Profession