



KONICA MINOLTA

ColorReader *CR-10*

**Check the color difference between two samples.
Economical, portable, and easy to use.**

- ***Fits in the Palm of your Hand***
- ***Battery Operated***
- ***Lightweight***
- ***Low Price***
- ***Simple to Use***



The essentials of imaging

Color Reader CR-10

Simple operation

Only the functions necessary for use are provided.
Even first users operate it easily.

Compact size and light weight

The compact design fits in the palm of your hand.
The CR-10 is also battery operated, so you can take it almost anywhere.

Color difference displayed

$\Delta(L^*a^*b^*)$ dE 1.7 dL- 1.1
da+ 0.6 db+ 1.0

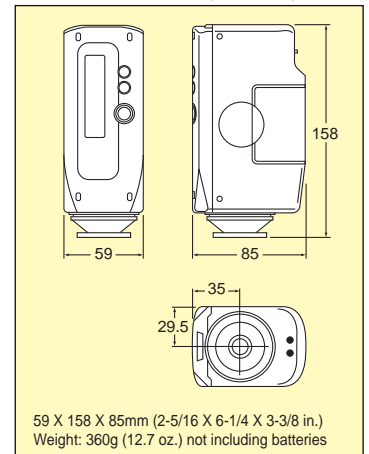
$\Delta(L^*C^*H^*)$ dE 1.7 dL- 1.1
dC+ 1.2 dH+ 1.5V



Specifications

Illuminating/viewing geometry	8/d (8° illumination angle/diffuse viewing)
Measuring area	Approx. Ø8mm
Display modes	$\Delta(L^*a^*b^*)$ / ΔE^*ab or $\Delta(L^*C^*H^*)$ / ΔE^*ab
Target color memory	1 channel; set by measurement
Measuring range	L*: 10 to 100
Measurement conditions	Observer : CIE 10° Standard Observer Illuminant : CIE Standard Illuminant D65
Repeatability	Standard deviation within ΔE^*ab 0.1 (Measurement conditions: Average of measurements of standard white plate)
Minimum interval between measurements	Approx. 1 sec.
Power source	Four AA-size batteries or optional AC Adapter AC-A12
Battery life	Alkaline-manganese batteries: Approx.2000 measurements at 10-sec. intervals Ni-Cd batteries: Approx. 600 measurements at 10-sec intervals
Operating temperature/humidity range	0 to 40°C; relative humidity 85% or less (at 35°C) with no condensation
Standard accessories	Soft Case CR-A68; Protective Cap CR-A72; Wrist Strap CR-A73; AA-size batteries (4)
Optional accessories	AC Adapter AC-A12; Printer Cable CR-A75

Dimensions (UNITS : mm)



Color Reader CR-??

Do you have a color-measurement need that could be filled by a customized Konica Minolta Color Reader model? We are always eager to listen to your needs, and will consider developing a customized model if sufficient sales quantities (100 units or more) are possible. Please feel free to talk with us about your requirements.

Can we
make one
for you?

KONICA MINOLTA SENSING, INC.

Konica Minolta Photo Imaging U.S.A., Inc.
Konica Minolta Photo Imaging Canada, Inc.
Konica Minolta Photo Imaging Europe GmbH
Minolta France S.A.
Konica Minolta Photo Imaging UK Ltd.
Konica Minolta Photo Imaging Austria GmbH
Konica Minolta Photo Imaging Benelux B.V.
Konica Minolta Photo Imaging (Schweiz)AG
Konica Minolta Business Solutions Italia S.p.A.
Konica Minolta Photo Imaging Svenska AB
Konica Minolta Photo Imaging (HK)Ltd.
Shanghai Office
Konica Minolta Photo Imaging Asia H Pte Ltd.
KONICA MINOLTA SENSING, INC. Seoul Office

3-91, Daisennishimachi, Sakai.Osaka 590-8551, Japan

725 Darlington Avenue Mahwah, NJ 07430 Phone: 888-473-2656 (in USA), 201-529-6060 (outside USA) FAX: 201-529-6070
1329 Meyerside Drive, Mississauga, Ontario L5T 1C9 Phone: 905-670-7722 FAX: 905-795-8234
Minoltaring11, 30855 Langenhagen, Germany Phone: 0511-740440 FAX: 0511-741050
Postbus6000, 3600 HA Maarssen, The Netherlands Phone: 030-2470860 FAX: 030-2470861
Precedent Drive, Rooksely Park, Milton Keynes United Kingdom Phone: 01-908200400 FAX: 01-908618662
Amalienstrasse 59-61, 11311 Vienna, Austria Phone: 01-87882-430 FAX: 01-87882-431
Riedstrasse 6, 8953 Dietikon, Switzerland Phone: 01-7403727 FAX: 01-7422350
Via Stephenson 37, 20157, Milano, Italy Phone: 02-39011-1 FAX: 02-39011-219
Solnastrandv gen 3, P.O.Box 9058 S-17109, Solna, Sweden Phone: 08-627-7650 FAX: 08-627-7685
Room 1818, Sun Hung Kai Centre, 30 Harbour Road, Wanchai, Hong Kong Phone: 852-34137508 FAX: 852-34137509
Rm 1211, Ruijin Building No.205 Maoming Road (S) Shanghai 20020, China Phone: 021-64720496 FAX: 021-64720214
10, Teban Gardens Crescent Singapore 608923 Phone: 65 6563-5533 FAX: 65 6560-9721
801, Chung-Jin Bldg., 475-22, BangBae-Dong, Seocho-ku, Seoul, Korea Phone: 02-523-9726 FAX: 02-523-9729