



**CNS
FARNELL**

PUNDIT
plus



**Portable
Ultrasonic
Non-destructive
Digital
Indicating
Tester**



The Pundit family of Ultrasonic Pulse Velocity (U.P.V.) instruments is accepted, by users throughout the world, as the industry standard for non-destructive concrete testing. Pundit Plus is the new generation unit, taking advantage of the latest microprocessor technology, to meet today's increasing demands for accuracy, reliability and ease of use.

- Ruggedly built for on-site reliability
- Simple, speedy operation
- Integral RS 232 interface
- Auto memory store for readings
- Large LCD display
- CE marked

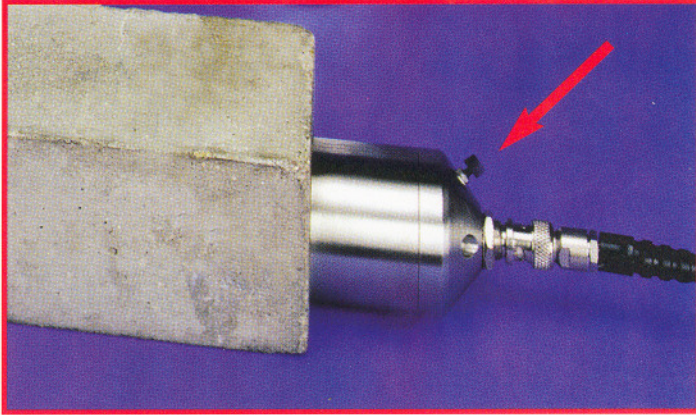


**CNS
FARNELL**

PUNDIT PLUS KIT

The full Pundit Plus kit includes:

- Pundit Plus supplied in carrying bag
- Mains lead and power supply
- Two 54kHz transducers
- Two 12ft (3.7 metre) cables
- Ultrasound couplant
- Operating manual



Transducer mounted switch simplifies the recording of readings.

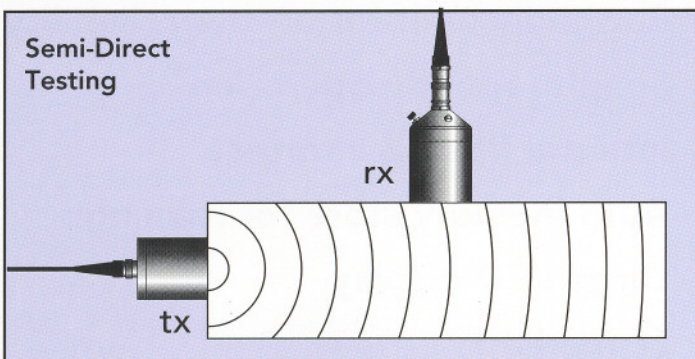
PUNDIT PLUS

Advanced measurement features:

- Velocity
- Transit time
- Modulus of elasticity

Can be used to investigate:

- Concrete uniformity
- Cavities, cracks, fire/frost damage
- Strength



SPECIFICATION

MEASUREMENT RANGES

Mode:	Velocity	Transit time	Elastic Modulus
Range:	1 to 9999	0.1 to 9999 μ s	up to 999.9
Units:	m/s or ft/s	2 ranges 0.1 or 1 μ s	GN/m ²
Accuracy:	\pm 1 m/s or ft/s	\pm 0.1 μ s	\pm 0.1 GN/m ²

Over Range: Indicated by over range message.

Lost Signal: Indicated by lost signal message.

DISPLAY

128 x 128 dot LCD with back lighting.

RS232C OUTPUT

Baud Rate: Fixed at 9600 baud.

Parity: None.

Data Bits: 8

Stop Bits: 1

SCOPE OUTPUT

Synchronisation pulse: 3.5V positive, rise time 2 μ s

Signal: True facsimile of receiving transducer output for outputs up to 0.4V. For outputs in excess of this value the receiving transducer may be plugged directly into the CRO add-on unit with the time base synchronised from the instrument.

TRANSMITTER

Energising Pulse: Nominal 1.2kV, 500V or 250V. 1.5 μ s duration.

POWER SUPPLY

Battery: Internal rechargeable NiMH batteries 8 x 1.2V / 1.2 Ah.

Power supply: 100/240V AC input 50/60Hz. 20V DC output.

ENVIRONMENTAL

Operating Temperature

Range: 0°C to 40°C

Dimensions: 250 x 160 x 100mm

Weight: 2.3kg electronics unit only.

Complete Kit: 5.0kg

OPTIONAL EXTRAS

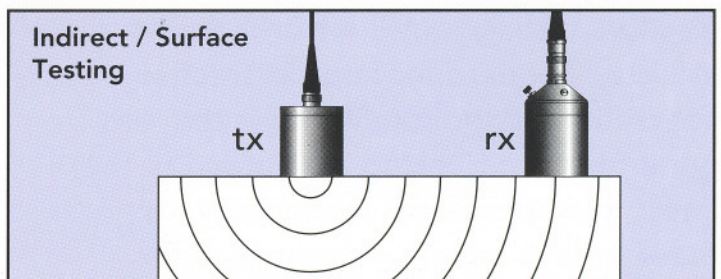
A range of transducers and amplifiers is available.

Our continuing development programme means this specification may be subject to change.

Direct Testing



Indirect / Surface Testing



CNS Farnell Limited, Elstree Business Centre, Elstree Way, Borehamwood, Hertfordshire, England. WD6 1RX

Telephone: +44 (0) 20 8238 6900

Facsimile: +44 (0) 20 8238 6901

Website: www.cnsfarnell.com

E-mail: sales@cnsfarnell.com

6900 Fax +44 (0) 20 8238 6901

Website: www.cnsfarnell.co.uk